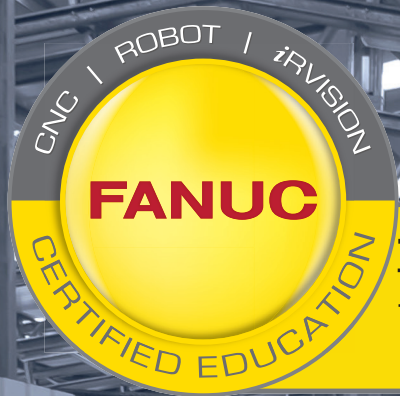


AM-CERT

ADVANCED MANUFACTURING CERT CELL



TRAIN TODAY WITH ROBOTICS IN ADVANCED MANUFACTURING

TAKE YOUR TRAINING TO THE NEXT LEVEL WITH A
ROBOT TO EDUCATE FUTURE INDUSTRY EMPLOYEES.



Integration Provided by:



For more information contact:



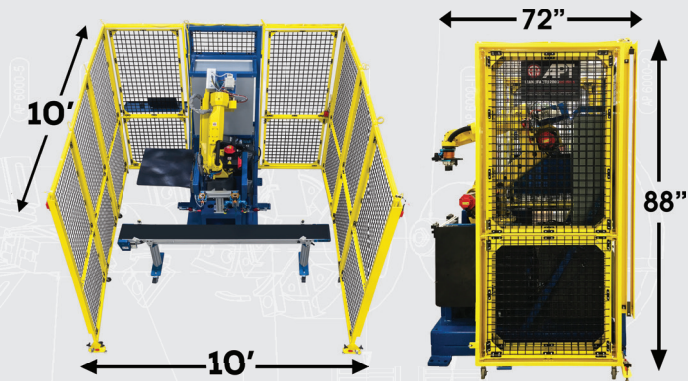
(800)-698-3249

www.kleineducational.com

AM-CERT FEATURES

- Structural steel robot base that supports the robot, robot controller, PLC cabinet, and perimeter fencing
- Provisions for FANUC M10ia or M20ia 6 axis robot with arm mounted iRVision 2D
- Folding perimeter fencing with 2" wire mesh Stronguard panels that store on the robot base frame
- Safety interlocked entry door on perimeter fencing
- System stack light
- Lower side access panel for optional Swivellink conveyor through the perimeter fencing (not safety interlocked)
- Slide out programming laptop desk with 110 VAC power supply
- Fold down pick and place tables, one on each side of the robot
- SMC pneumatics, filter/regulator with lock out-tag out safety valve
- SMC robot mounted valve bank wired to robot I/O through the EE Connector
- SMC two jaw robot gripper with open/close sensors and Piab vacuum with vacuum switch
- Available ATI automatic tool change with separate gripper and vacuum tool
- Two 8 port configurable I/O points
- PLC control panel with viewing window, main power disconnect, program access port on outside of panel
- Rockwell CompactLogix or GuardLogix PLC cell control
- Rockwell PanelView 10" touch screen interface with cell function screens
- Light curtain or area scan safety for robot work area
- Main power choice of 208 VAC 3 phase, 220 VAC 3 phase, or 480 VAC 3 phase

| PRODUCT # | DESCRIPTION |
|------------|---|
| AM CERT-10 | Material Handling CERT Cell with M10 Robot |
| AM CERT-20 | Material Handling CERT Cell with M20 Robot |
| Option 1 | Swivellink Conveyor |
| Option 2 | Area Scanner 270 degree protection |
| Option 3 | Automatic Tool Change |
| Option 4 | Safety PLC Option |
| Option 5 | Transformer 208, 220, or 240V 3 Phase power |



| TRAINING AREAS | LEVELS |
|--|----------------------------|
| PLC, Robot, Vision, Safety, Pneumatics, Conveyor | I, II, III, & Mechatronics |

Integration Provided by:



For more information contact:



(800)-698-3249
www.kleineducational.com